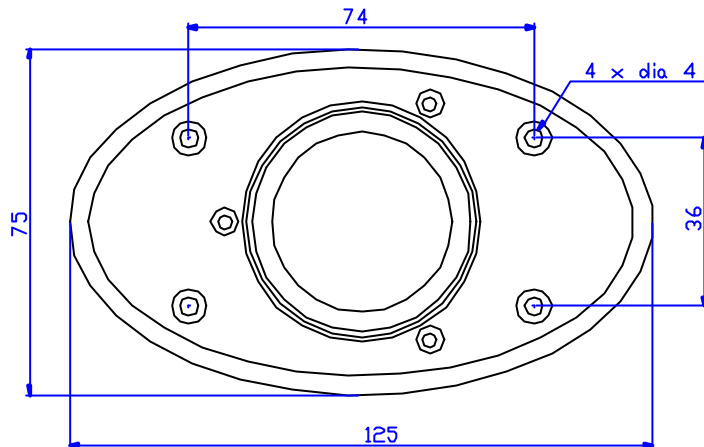


Genesis Absolute R1 Tweeter Data



Technical Data.

Description:	25mm Ring Radiator Tweeter.
Impedance:	4 ohms nominal
Power handling:	10W RMS Continuous Pink noise 300W RMS System amplifier power
Frequency range	2 – 40 KHz +/- 2dB

Thiele –Small data:

Fs	Resonant Frequency	520	Hz
Re	D.C Resistance	3.0	Ohms
Le	Voice Coil Inductance	10	uH
Md	Moving Mass	0.3	Grams
Sd	Cone area	5.6	cm ²
Bl	Force Product	2.8	Tm
X-max	Linear / Max excursion	0.2 / 1.6mm	
	Voice coil diameter	25	mm
	Sensitivity	91.5	dB/1W

